

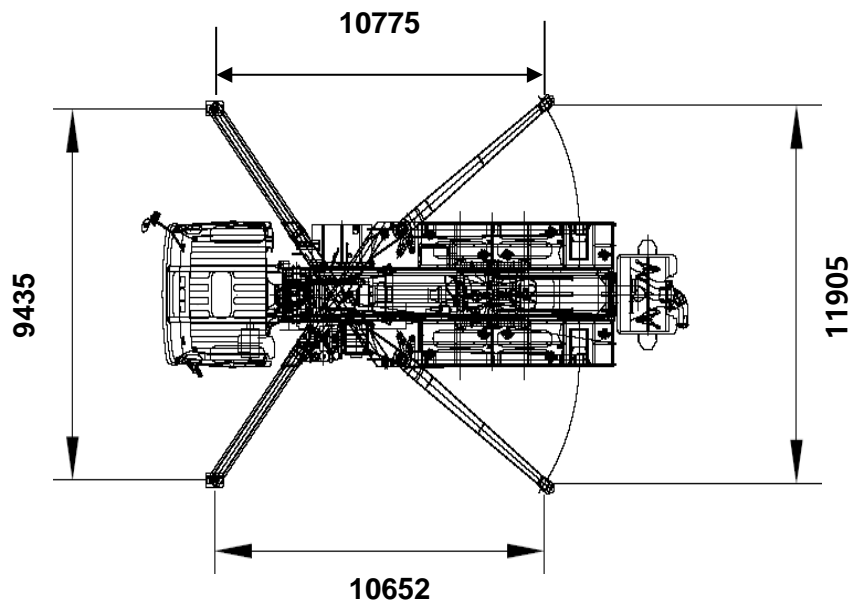


EVERDIGM

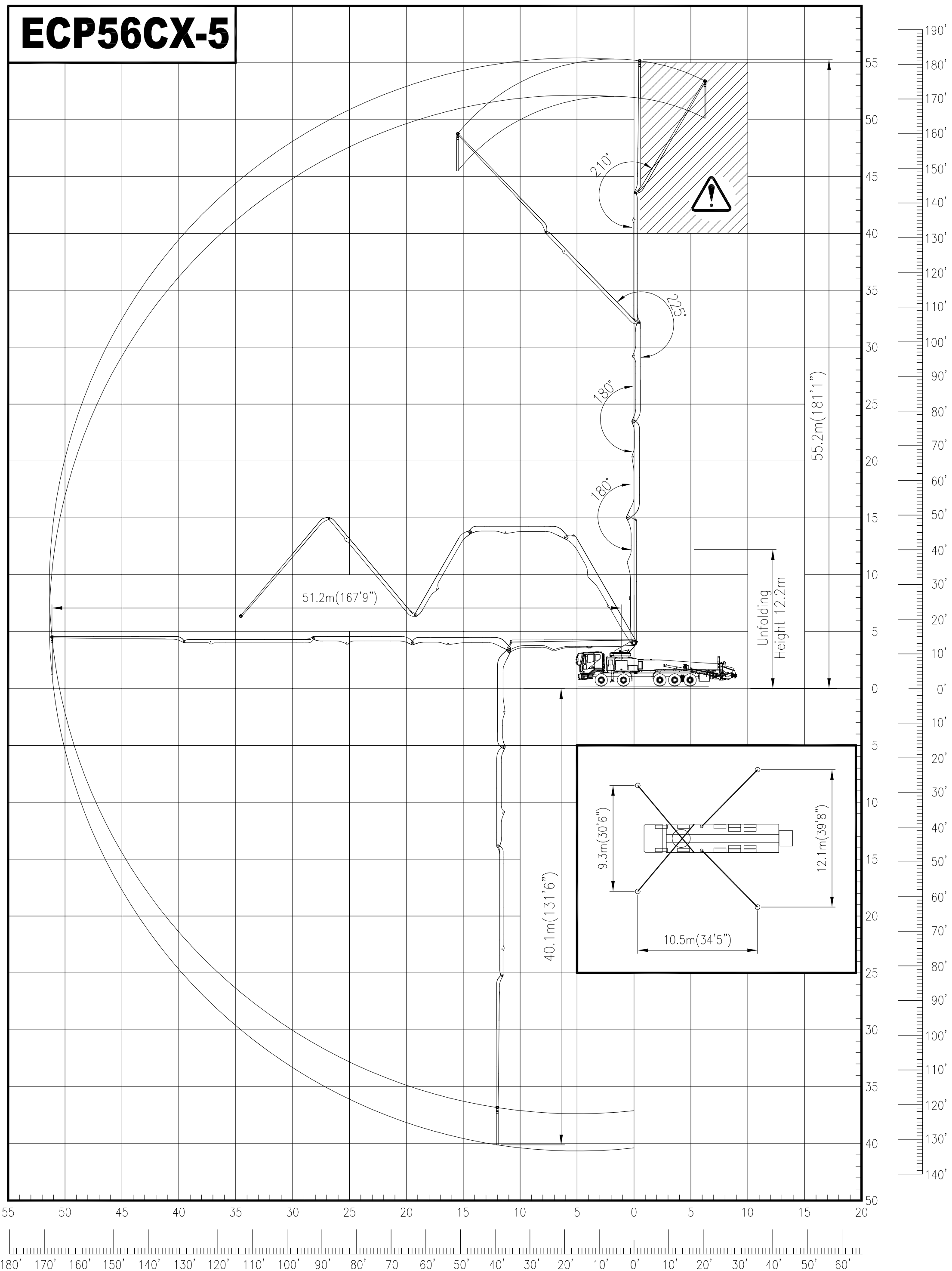
ECP56CX

Support width: 9435 mm
Load moment support legs ; front 370 KN
Support width: 11905 mm
Load moment support legs ; rear 330 KN

Positions of support legs :



ECP56CX-5



 Don't use end hose in caution area

UNIT:m(ft.in)